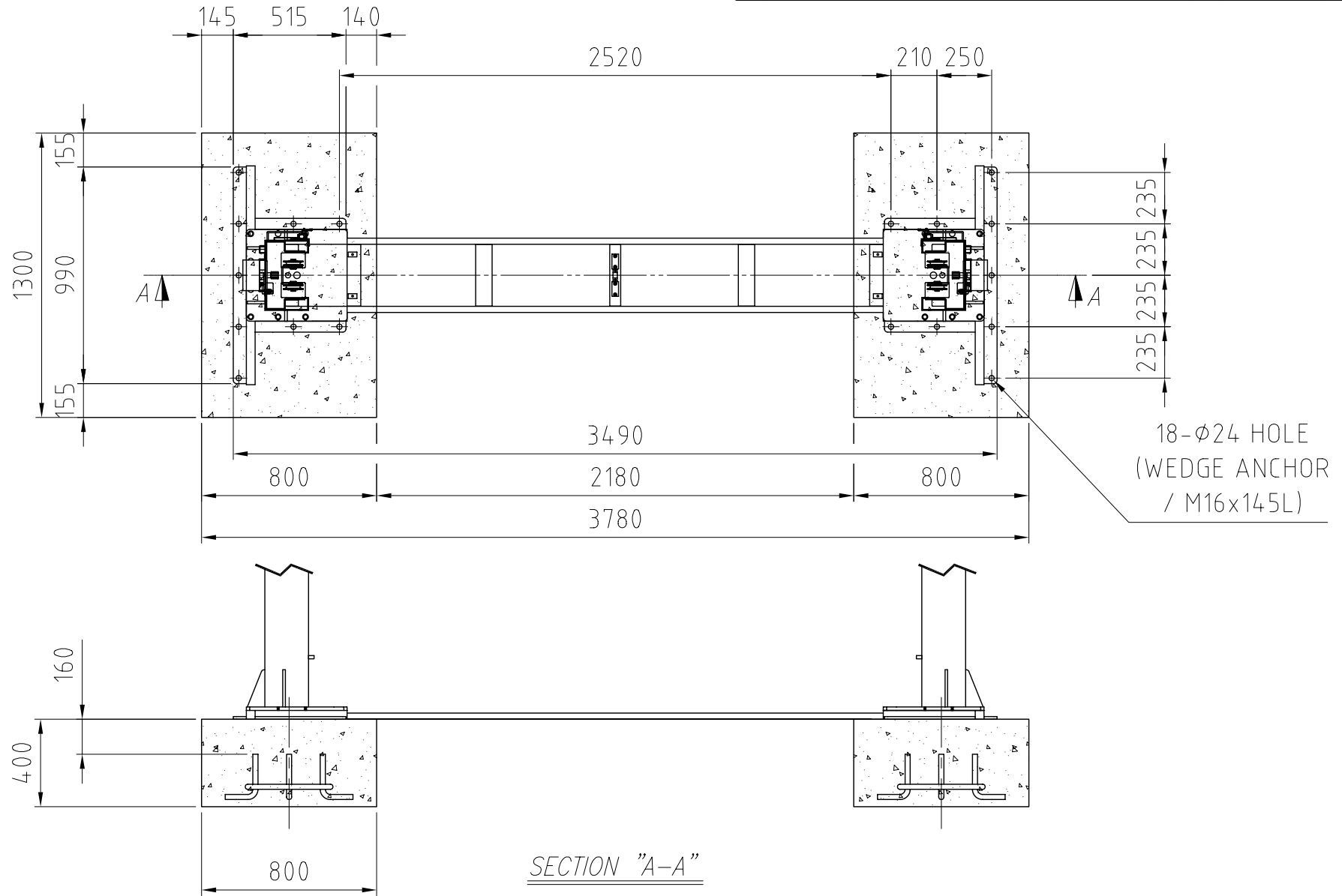


| | | |
|----------|-------|----------|
| REVISION | MODEL | DWG. NO. |
| | | |



NOTE

1. Be sure horizon of surface.
2. 160mm or more concrete thickness and 25N/mm² strength should be needed.
3. Make sure using anchor bolt to install the lift.
4. To fasten the base anchor bolt torque should be needed Min.80 ~ Max.100Nm.

| | | | |
|--|------------|----------|--|
| DESIGNED BY | DATE | NAME | TITLE HL-25H 2-POST BASE HEAVY LIFT BASE LAYOUT |
| CHECKED BY | 2010.11.09 | J.H.KIM | |
| APPROVED BY | 2010.11.09 | D.K.Shin | |
|  헤스본 주식회사 HESHBON CO., Ltd. | | | SCALE |
| | | | DRAWING NO. |
| | | | SHEET NO. |