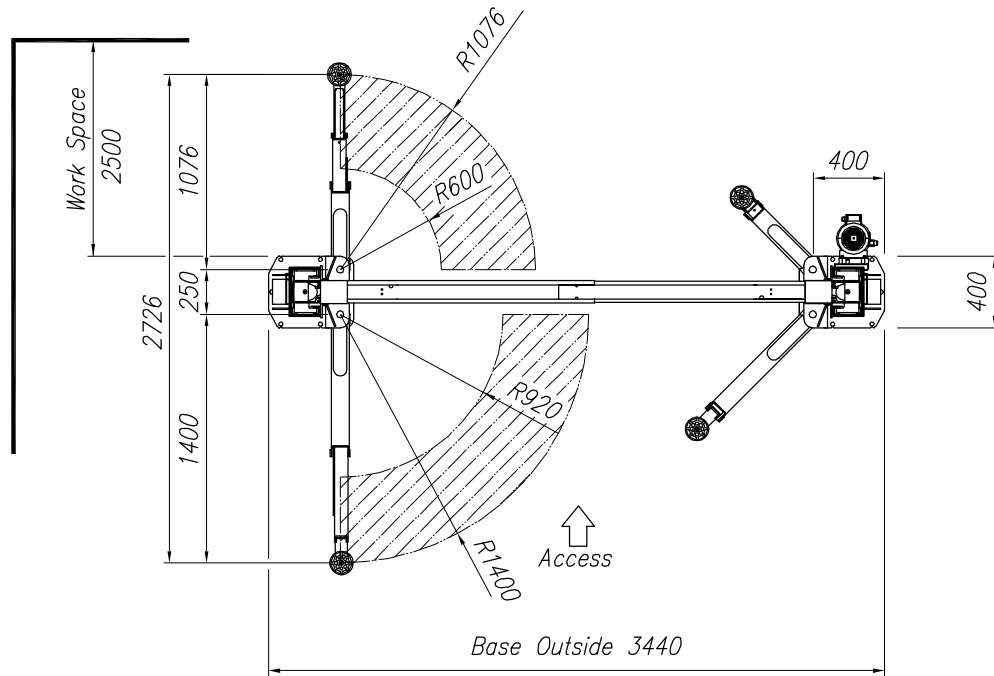
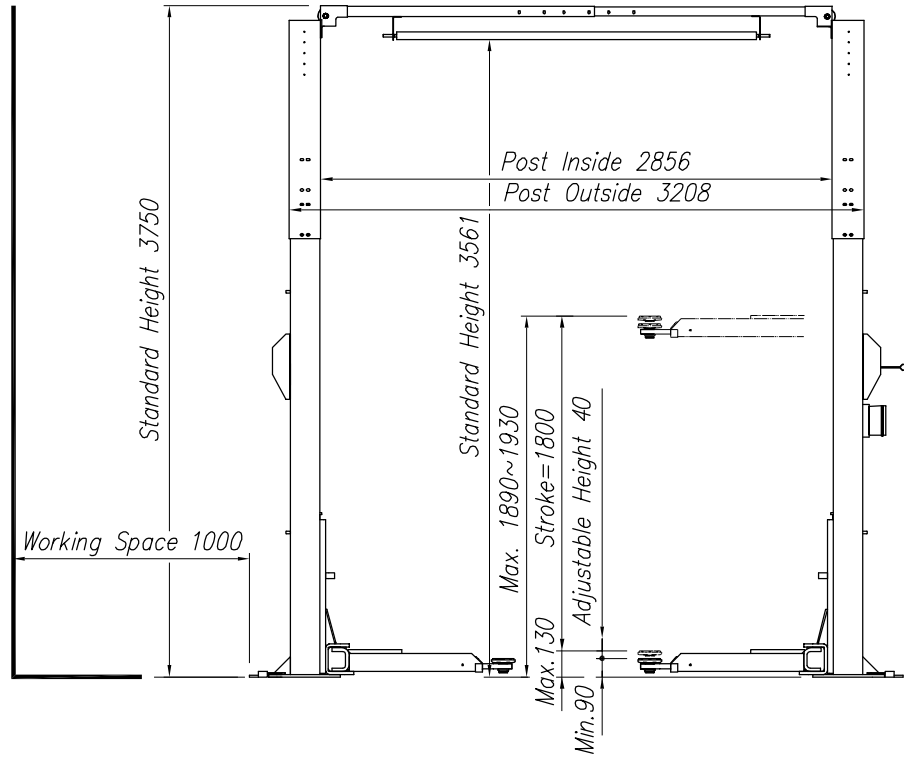


REVISION		MODEL	DWG. NO.



SPECIFICATION	
MODEL NO.	HL-26K
LIFTING CAPACITY	4 ton
LIFTING MAX. HEIGHT	1,890~1,930 mm
MIN. HEIGHT	90~130 mm
STROKE	1,800 mm
LIFTING TIME	APPROX. 40~50 sec.
LOWERING TIME	APPROX. 30~40 sec.
NET WEIGHT	760 kg



NOTE

1. Be sure horizon of surface.
2. 160mm or more concrete thickness and 25N/mm<sup>2</sup> strength should be needed.
3. For main power cable, VCTF 1.5SQx4P should be used.
4. Make sure using anchor bolt to install the lift.
5. To fasten the base anchor bolt torque should be needed Min.80 ~ Max.100Nm.

MARK	DESCRIPTION	Q'TY	MATERIAL	WEIGHT OR SIZE	REMARK
	DATE	NAME	TITLE		
DESIGNED BY	2013.08.14	J.H.KIM	HL-26K		
CHECKED BY	2013.08.14	Y.I.LEE	2-POST CLEAR FLOOR LIFT		
APPROVED BY	2013.08.14	M.C.Song	LAYOUT DRAWING		
<b>헤스본 주식회사</b> <b>HESHBON CO., Ltd.</b>			SCALE	DRAWING NO.	SHEET NO.
			1 / 22	26KA01A	0